

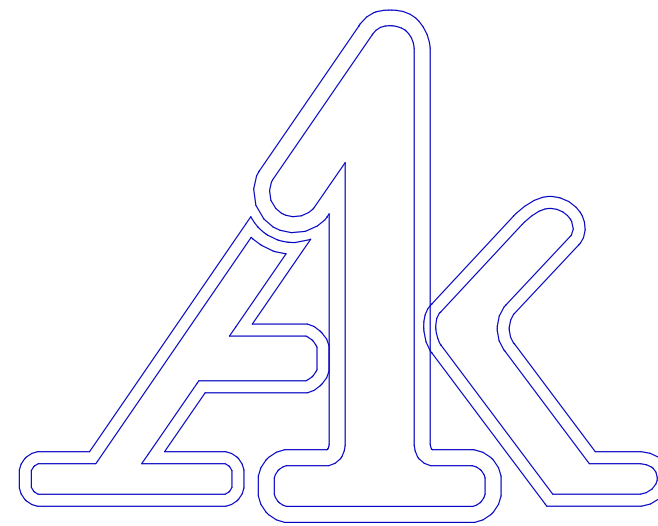
1	2	3	4	5	6	7	8
A							
B							
C							
D							
E							
F							

01_Intro	02_CPU SECTION	03_FE2010 SECTION	04_512k MAIN MEM	05_FD CONTROLLER
<input type="text"/>	<input type="text"/>	<input type="text"/>	<input type="text"/>	<input type="text"/>
Date: A2088XT_RA_1.kicad_sch	Date: A2088XT_RA_2.kicad_sch	Date: A2088XT_RA_3.kicad_sch	Date: A2088XT_RA_4.kicad_sch	Date: A2088XT_RA_5.kicad_sch

06_128KB DUAL PORT RAM	07_ADDRESS BUS TRANSLATOR	08_DATA BUS TRANSLATOR	09_CONNECTORS	10_BLOCK CAPS
<input type="text"/>	<input type="text"/>	<input type="text"/>	<input type="text"/>	<input type="text"/>
Date: A2088XT_RA_6.kicad_sch	Date: A2088XT_RA_7.kicad_sch	Date: A2088XT_RA_8.kicad_sch	Date: A2088XT_RA_9.kicad_sch	Date: A2088XT_RA_10.kicad_sch

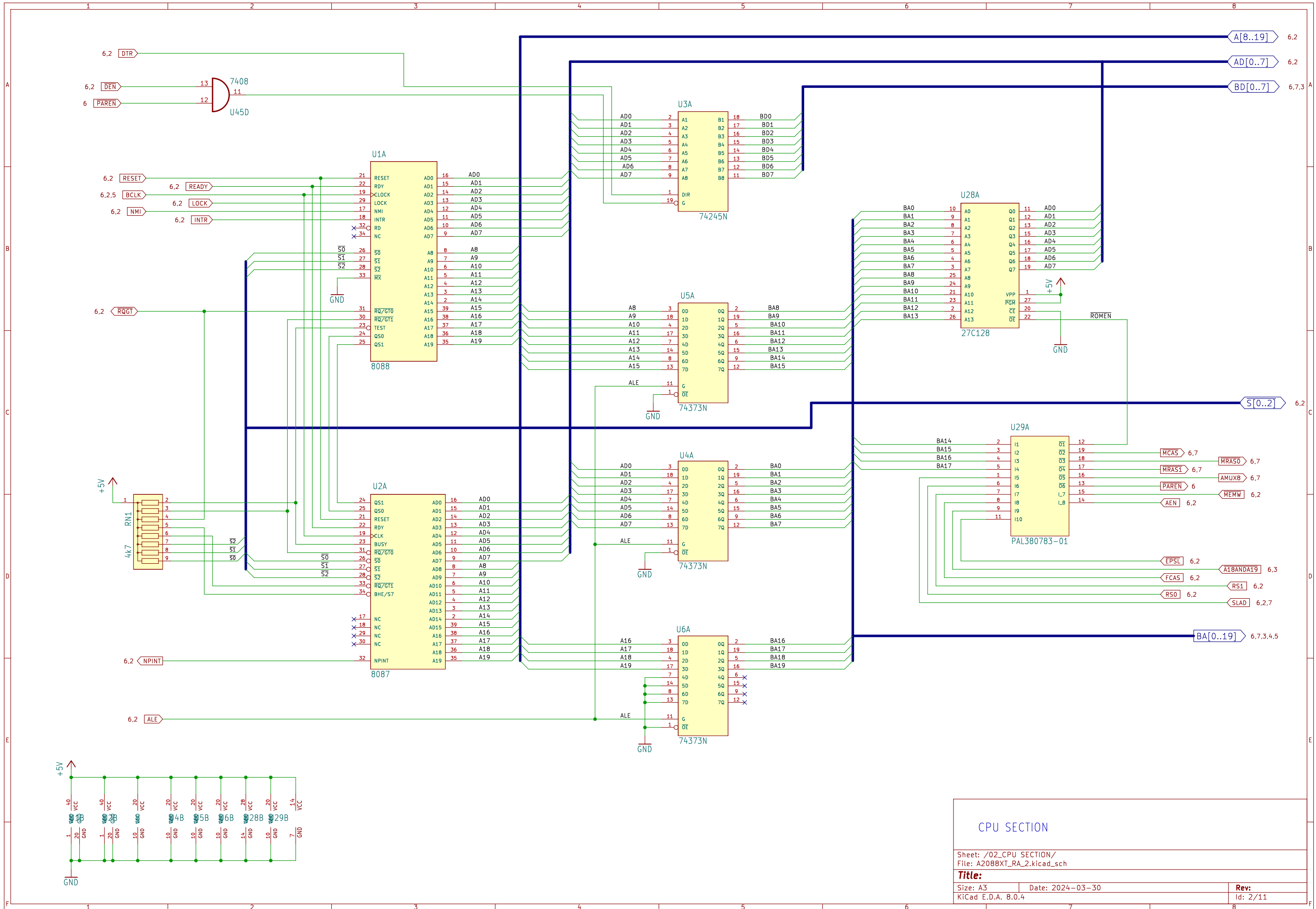
Sheet: /		
File: A2088XT_RA.kicad_sch		
Title:		
Size: A3	Date: 2024-03-30	Rev:
KiCad E.D.A. 8.0.4		Id: 1/11

SCHEMATIC A2088XT
REV. A



REDRAWN GONZO/A1k

Sheet: /01_Intro/ File: A2088XT_RA_1.kicad_sch		
Title:		
Size: A3	Date: 2024-03-30	Rev:
KiCad E.D.A. 8.0.4		Id: 1/11

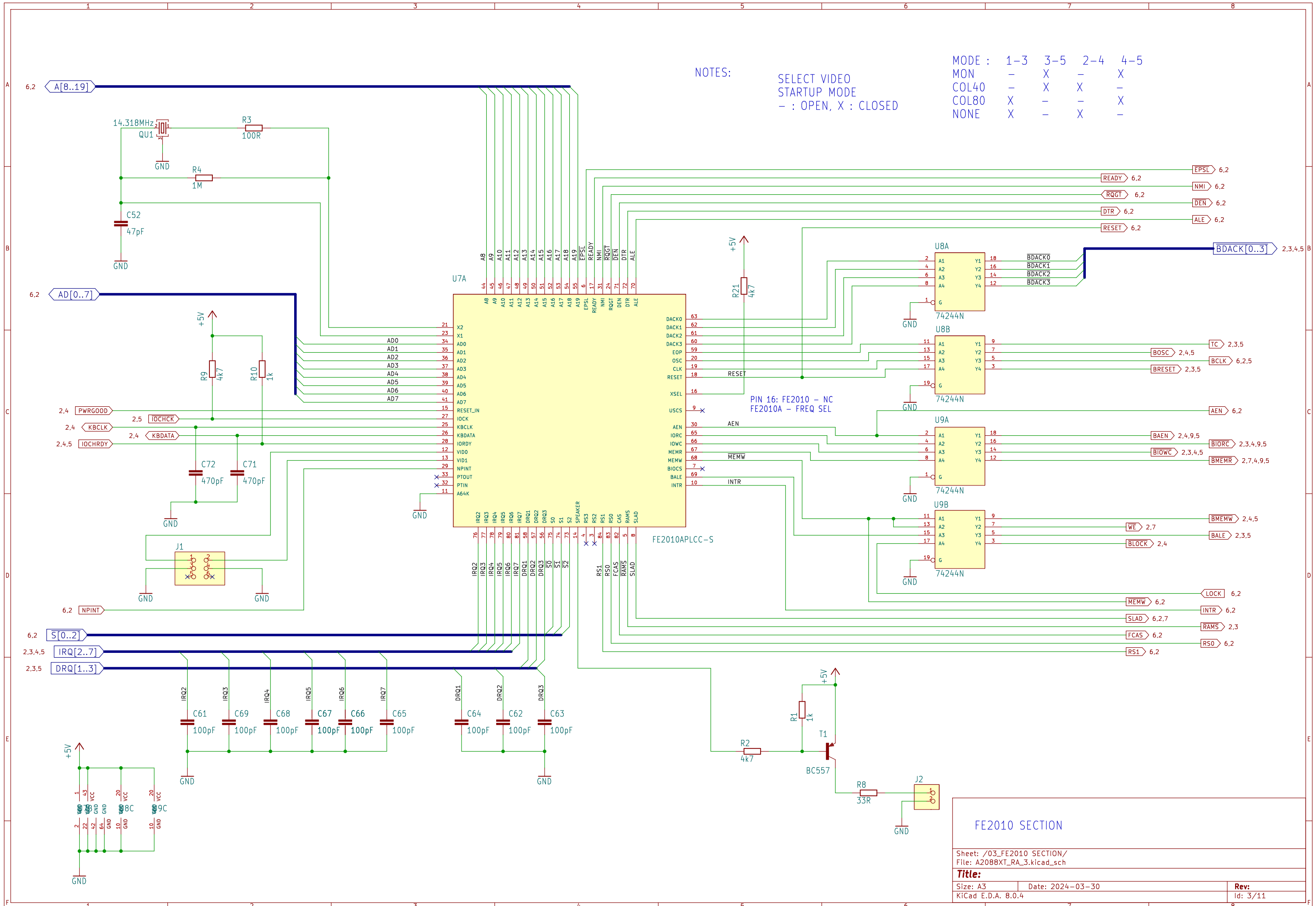


CPU SECTION		
Sheet: /02_CPU SECTION/ File: A2088XT_RA_2.kicad_sch		
Title:		
Size: A3	Date: 2024-03-30	Rev:
KiCad E.D.A. 8.0.4		Id: 2/11

NOTES:

SELECT VIDEO
STARTUP MODE
- : OPEN, X : CLOSED

MODE :	1-3	3-5	2-4	4-5
MON	-	X	-	X
COL40	-	X	X	-
COL80	X	-	-	X
NONE	X	-	X	-



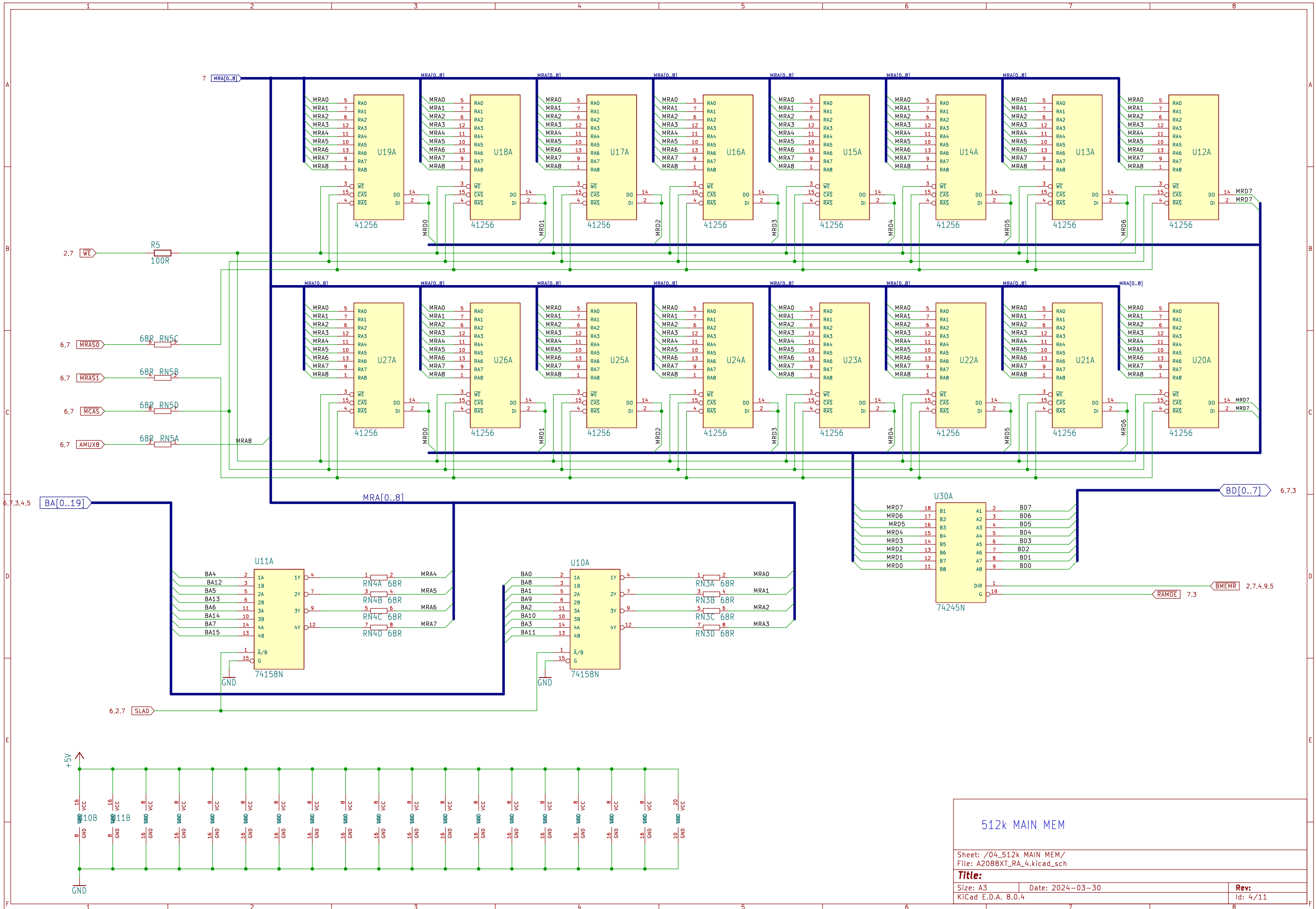
FE2010 SECTION

Sheet: /03_FE2010 SECTION/
File: A2088XT_RA_3.kicad_sch

Title:

Size: A3 Date: 2024-03-30

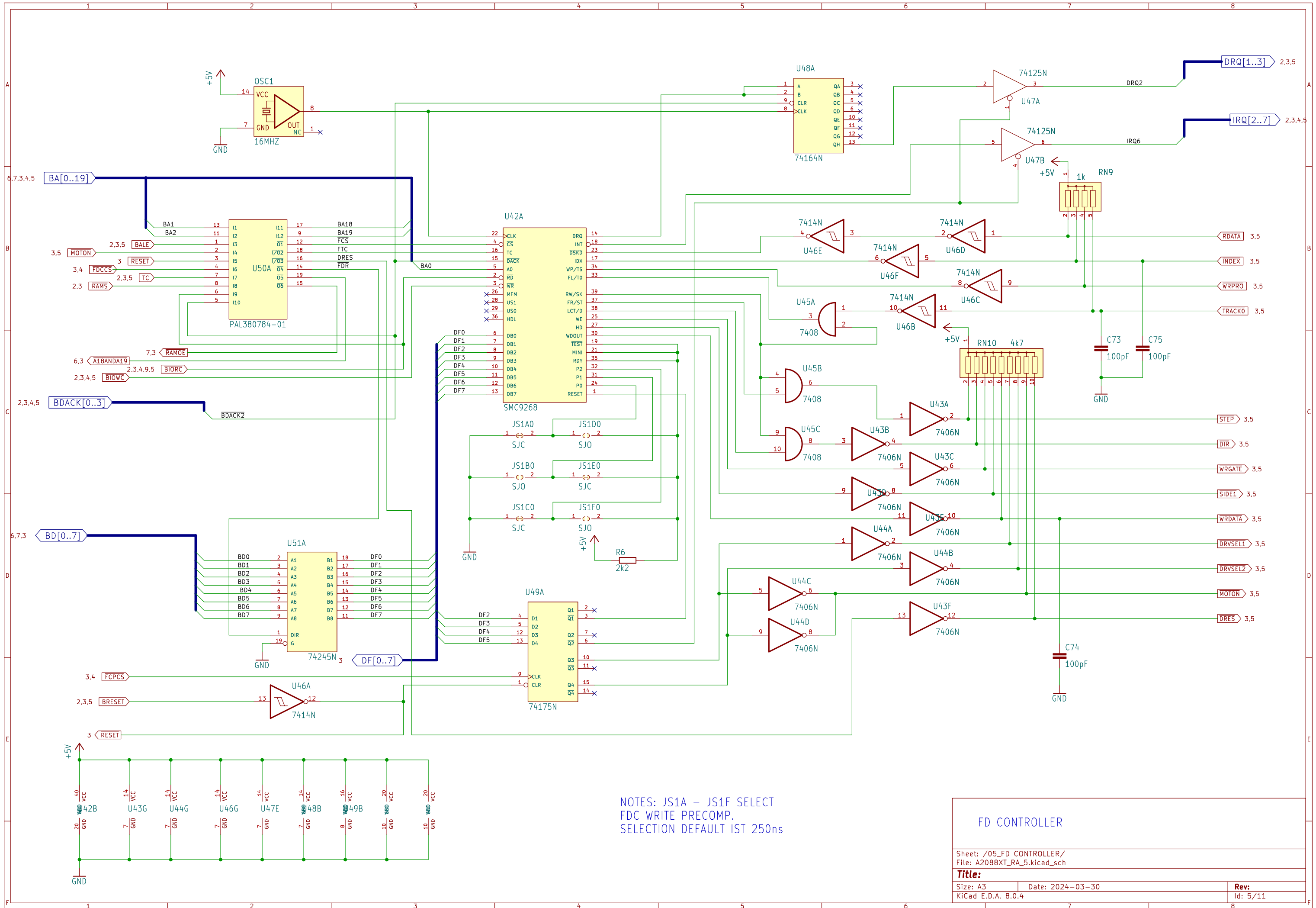
Rev:
Id: 3/11



512k MAIN MEM

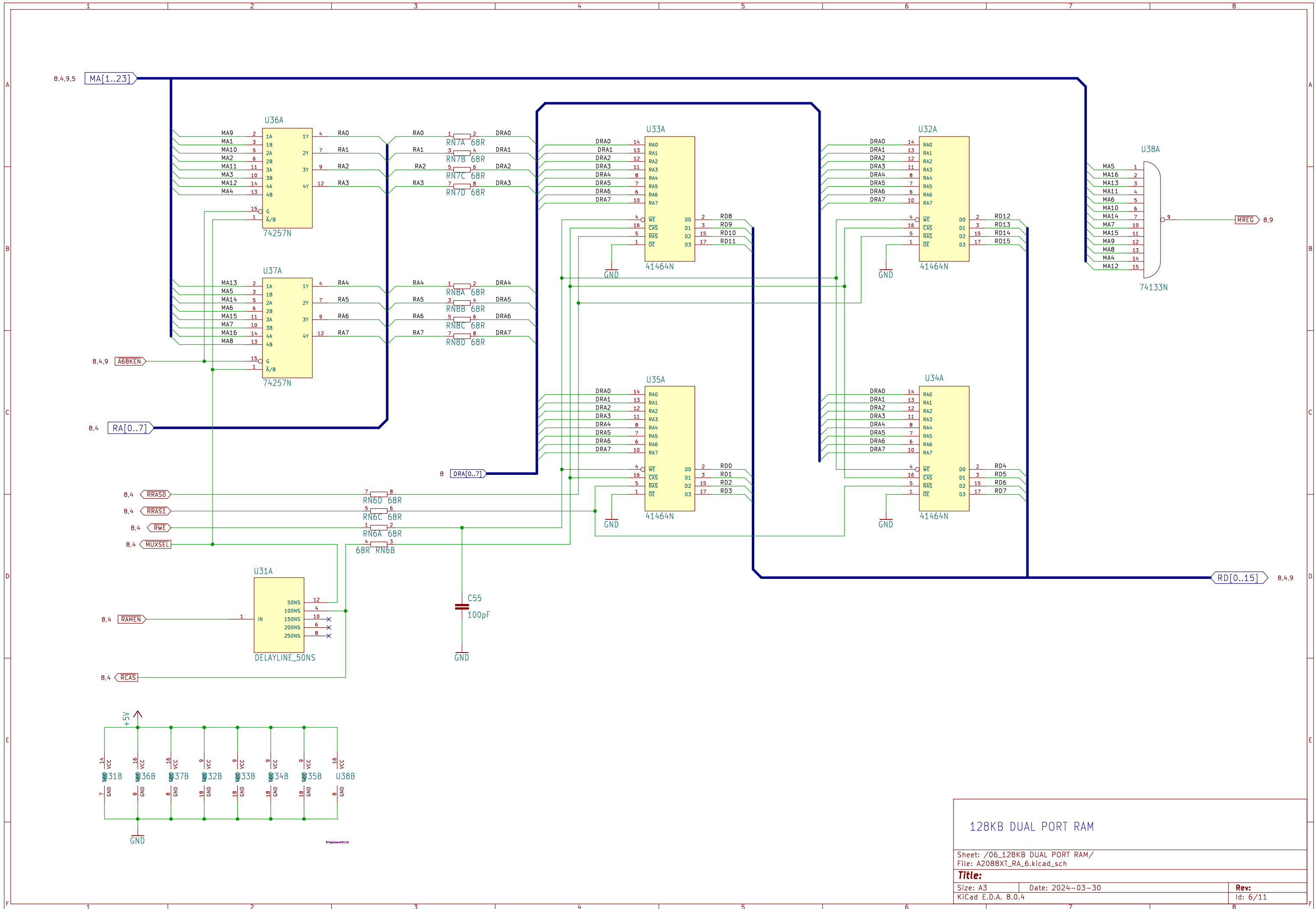
Sheet: /04_512k MAIN MEM/
File: A2088XT_RA_4.kicad_sch

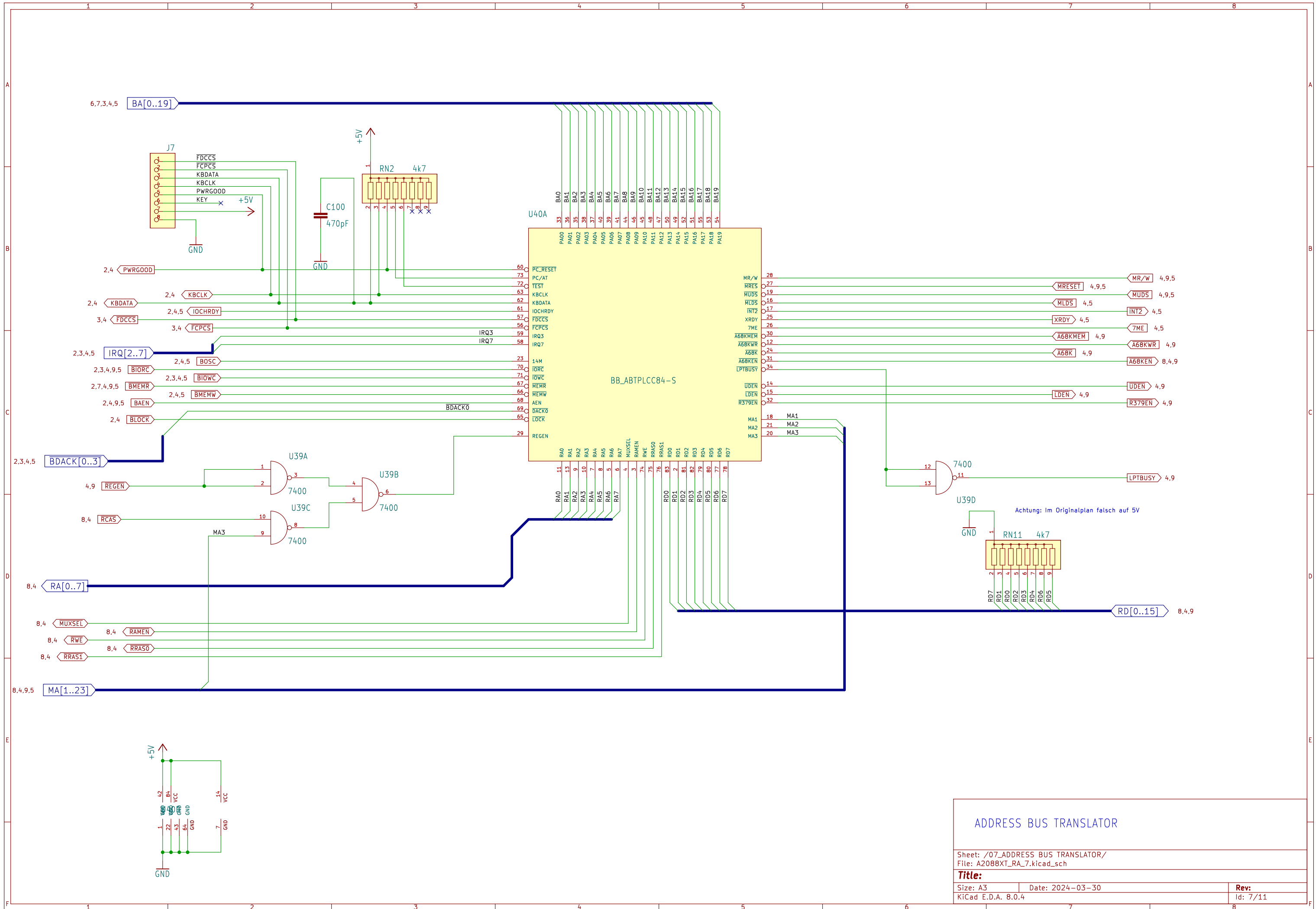
Title:		
Size: A3	Date: 2024-03-30	Rev:
KiCad E.D.A. 8.0.4		Id: 4/11



NOTES: JS1A – JS1F SELECT
 FDC WRITE PRECOMP.
 SELECTION DEFAULT IST 250ns

FD CONTROLLER		
Sheet: /05_FD CONTROLLER/		
File: A2088XT_RA_5.kicad_sch		
Title:		
Size: A3	Date: 2024-03-30	Rev:
KiCad E.D.A. 8.0.4		Id: 5/11

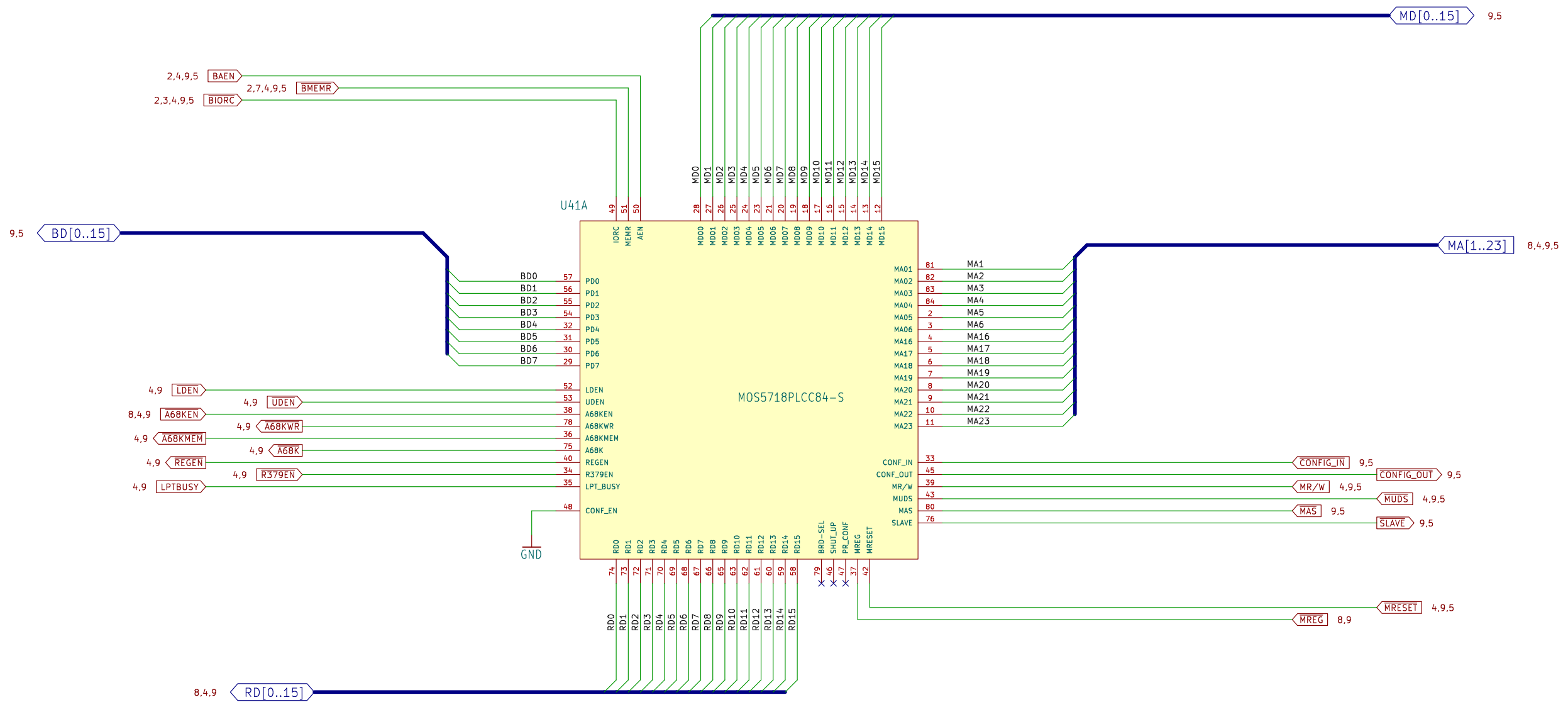


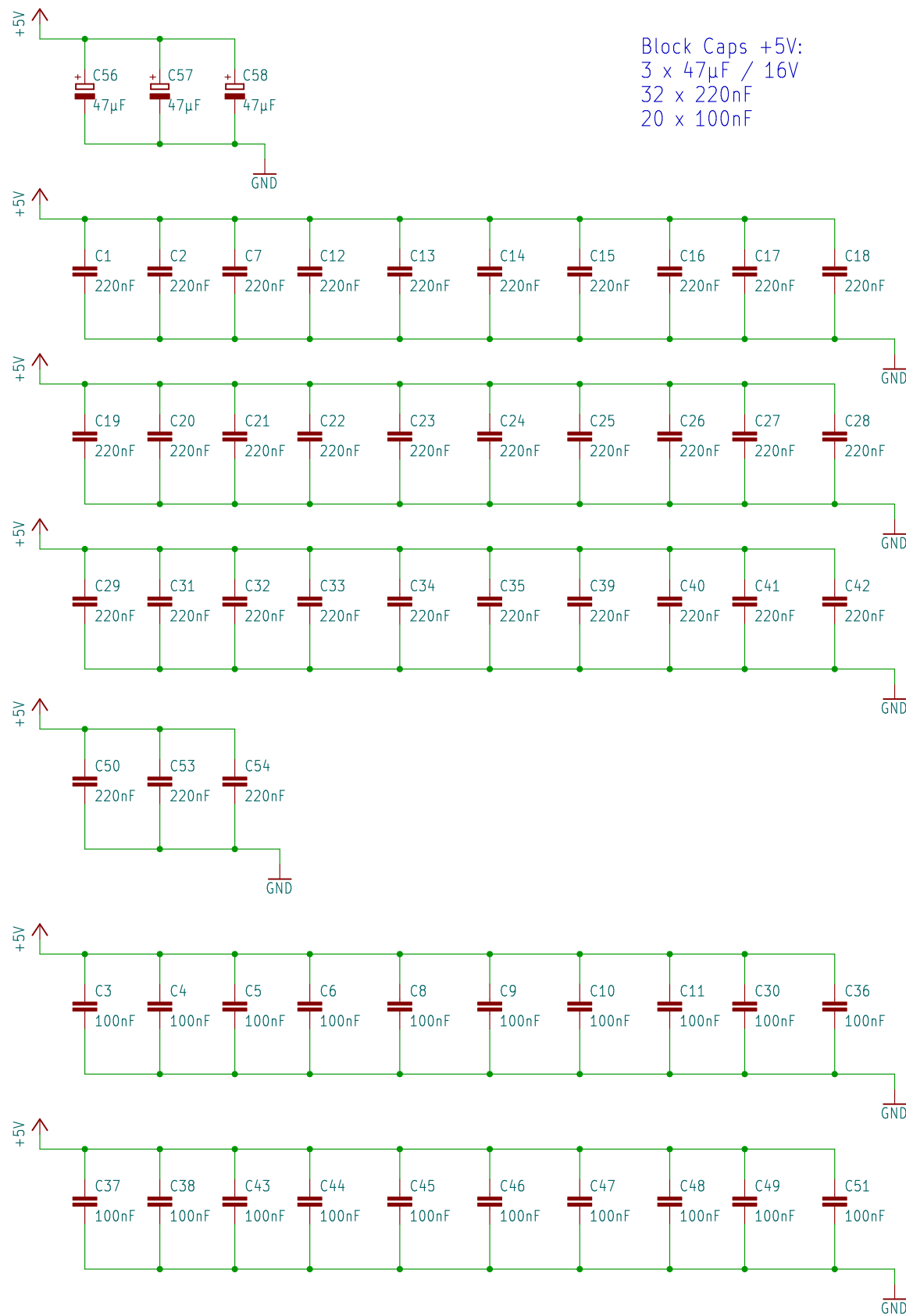


ADDRESS BUS TRANSLATOR

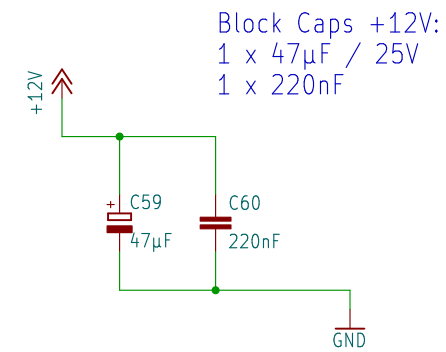
Sheet: /07_ADDRESS BUS TRANSLATOR/
 File: A2088XT_RA_7.kicad_sch

Title:		Rev:
Size: A3	Date: 2024-03-30	Id: 7/11
KiCad E.D.A. 8.0.4		

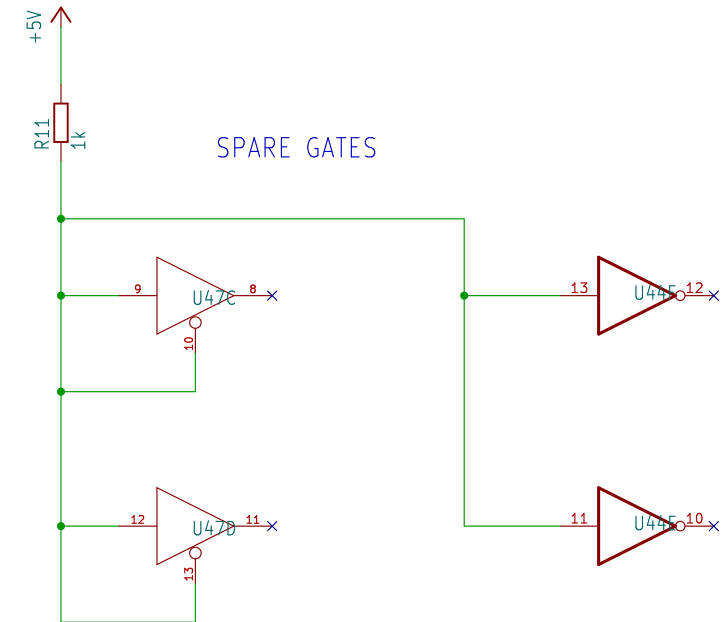




Block Caps +5V:
 3 x 47µF / 16V
 32 x 220nF
 20 x 100nF



Block Caps +12V:
 1 x 47µF / 25V
 1 x 220nF



SPARE GATES

BLOCK CAPS		
Sheet: /10_BLOCK CAPS/		
File: A2088XT_RA_10.kicad_sch		
Title:		
Size: A3	Date: 2024-03-30	Rev:
KiCad E.D.A. 8.0.4		Id: 10/11